

Tranquil TRAP5230 52" x 30" x 40"

PRODUCT NUMBER: TRAP5230-LH & TRAP5230-RH



AIR PLATINUM SERIES

Hydro Massage
Your Health ... Our Passion

TECHNICAL SPECIFICATIONS	
Drain	End drain
Pump Location(s):	Std. = Standard
Bath Weight (empty)	205 lbs
Gallons to Operate	47-65
ELECTRICAL SPECIFICATIONS	
Motor/Pump	(1) 115v 20AMP GFCI Circuits
Whisper Flo Heat System	(2) 115v 20AMP GFCI Circuit

BATHERS: 1	
INSTALLATION	
	DECK (D)
	UNDER MOUNT (U)
•	ALCOVE (A)
	FREESTANDING (F)
	CLAWFOOT (L)
	PEDESTAL (P)

Jet & Control placement may vary



STANDARD FEATURES & ACCESSORIES for AIR PLATINUM SERIES BATHS _____

JETS

- 34 EZ Clean Air Jets
- HTT Leg Therapy Air Massage Jets **X**
- HTT Back Therapy Air Massage Jets **X**

PUMPS

- 1.25 Air Power Variable Speed, Pulse & Wave heated Air Pump
- Quiet Pad Anti-Vibration Mounted Pump

HEATERS

- WhisperFlo Heat System with Control & Ecobond Foam Insulation
(must select Pump Locations and requires two additional circuits)
- Warm Back Rest Tubing Zone

CONTROLS

- Air Switch On/Off Control(s) for Chromatherapy
- Variable Speed Air Massage Control
- Automatic Purge & Dry Cycle Control

PURITY

- HydroClean Water Purity System
- HydroCleanse

STANDARD ACCESSORIES

- Grab Bar(s) - 2 on End Drain baths - Polished Chrome
- Chromatherapy Lighting
- Deluxe Cable Drain - Polished Chrome
- Deluxe Cushion Pillow
- EZ Level Base
- FDA Recipe Non-Toxic Food & Beverage Grade Plumbing (primarily)
- 30 Point Quality Assurance Factory Test


REQUIREMENTS

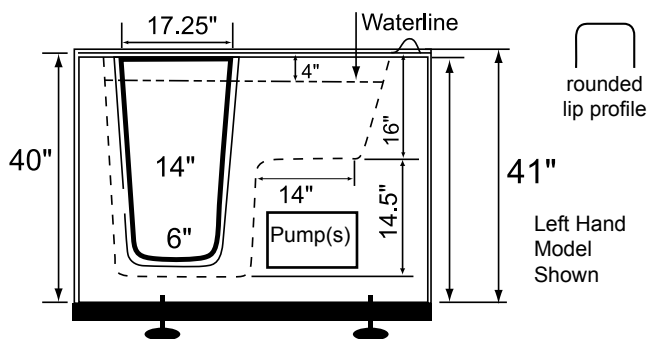
- Pump Locations: Standard
- Electrical: Three 115v 20AMP GFCI Circuits
- Drain and Grab Bar: Polished Chrome
- Tub should not be supported by the lip in any way. Level tub & screw or glue EZ Level adjustable legs to sub floor.**
- CUT OUT DIMENSIONS:**
 - OVALS:** A template will be provided
 - RECTANGLES:** Subtract 1" to 1.5" from length & width for hole cut out size

EZ CLEAN CAST ACRYLIC LIMITED LIFETIME WARRANTY c  **us ANSI**

OPTIONAL FEATURES & ACCESSORIES

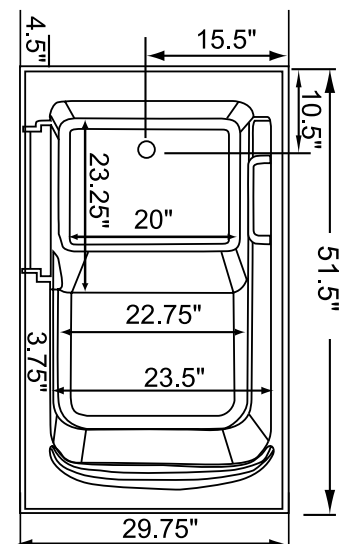
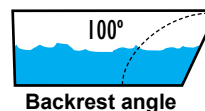
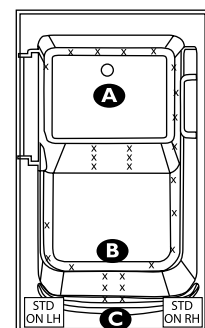
(Please type in the box below)

- A** X **HTT® Leg Therapy Air Massage System** includes 10 Air Jets on the floor. Optional on Combo Plat and Combo Gold Series
- B** X **6 Jet HTT® Back Massage System:** N/A on Combo Series-Standard on Plat series
- C**  **Warm Back Tubing Zone**



Bath includes EZ Level Base

INSTALLATION WILL NOT REQUIRE MORTAR BEDDING



Some standard & most alternate pump locations may stickout past perimeter of the bath 1"-3". NOTE: Graphics may not be to scale. Specifications and features are subject to change without notice and are ± .25". All final measurements should be taken from tub on site. Access 18"x 18" or larger is required for each pump. Consult your contractor for installation requirements.