

# Tranquil TRSS5230 52" x 30" x 40"

PRODUCT NUMBER: TRSS5230-LH & TRSS5230-RH



SOOTHING SOAK SERIES

*Hydro Massage*  
Your Health ... Our Passion

TECHNICAL SPECIFICATIONS	
Drain	End drain
Pump Location(s):	Std. = Standard
Bath Weight (empty)	205 lbs
Gallons to Operate	47-65
ELECTRICAL SPECIFICATIONS	
Motor/Pump	(1) 115v 20AMP GFCI Circuits
Inline Stainless Steel Heater	N/A

BATHERS: 1	
INSTALLATION	
	DECK (D)
	UNDER MOUNT (U)
•	ALCOVE (A)
	FREESTANDING (F)
	CLAWFOOT (L)
	PEDESTAL (P)



## STANDARD FEATURES & ACCESSORIES for SOOTHING SOAK SERIES BATHS \_\_\_\_\_

### PUMPS

WhisperFlo Heat Pump  
Quiet Pad Anti-Vibration Mounted Pump

### CONTROLS

Air Switch On/Off Control(s) for Hydro Pump

### PURITY

HydroCleanse

### STANDARD ACCESSORIES

Deluxe Cable Drain - Polished Chrome  
EZ Clean Cast Acrylic  
FDA Recipe Non-Toxic Food & Beverage Grade Plumbing (primarily)  
30 Point Quality Assurance Factory Test  
EZ Level Base

### REQUIREMENTS

Pump Locations: Standard  
Electrical: one 115v 20AMP GFCI Circuits  
Drain and Grab Bar: Polished Chrome  
**Tub should not be supported by the lip in any way. Level tub & screw or glue EZ Level adjustable legs to sub floor.**

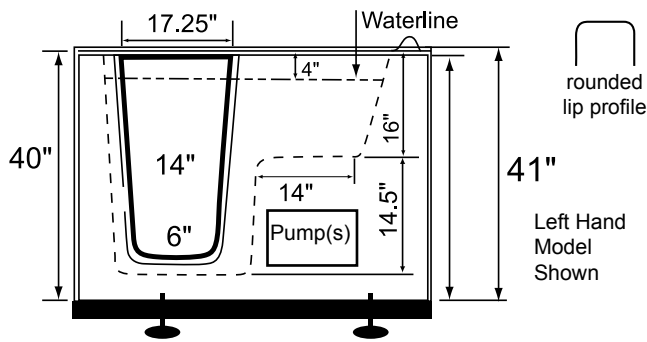
### CUT OUT DIMENSIONS:

**OVALS:** A template will be provided  
**RECTANGLES:** Subtract 1" to 1.5" from length & width for hole cut out size

**EZ CLEAN CAST ACRYLIC**  
**LIMITED LIFETIME WARRANTY** 

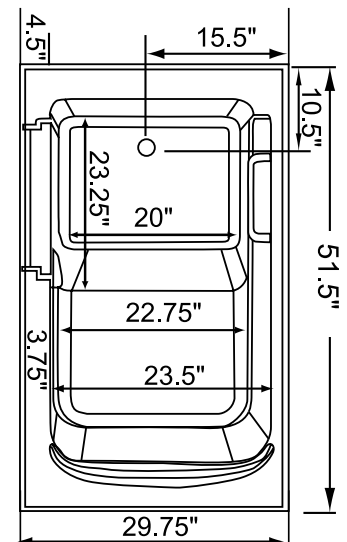
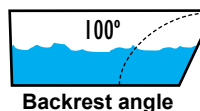
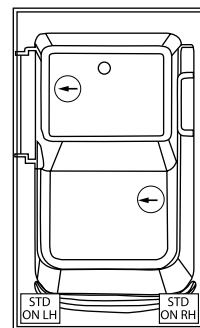
## OPTIONAL FEATURES & ACCESSORIES

(Please type in the box below)



Bath includes EZ Level Base

**INSTALLATION WILL NOT REQUIRE MORTAR BEDDING**



Some standard & most alternate pump locations may stick out past perimeter of the bath 1"-3". NOTE: Graphics may not be to scale. Specifications and features are subject to change without notice and are  $\pm .25"$ . All final measurements should be taken from tub on site. Access 18"x 18" or larger is required for each pump. Consult your contractor for installation requirements.