

Tranquil TRTO5230 52" x 30" x 40"

PRODUCT NUMBER: TTRO5230-LH & TTRO5230-RH

TUB ONLY SERIES

Hydro Massage
Your Health ... Our Passion



TECHNICAL SPECIFICATIONS	
Drain	End drain
Pump Location(s):: N/A	Std. = Standard
Bath Weight (empty)	205 lbs
Gallons to Operate	47-65
ELECTRICAL SPECIFICATIONS	
Motor/Pump	N/A
Inline Stainless Steel Heater	N/A

BATHERS: 1	
INSTALLATION	
	DECK (D)
	UNDER MOUNT (U)
•	ALCOVE (A)
	FREESTANDING (F)
	CLAWFOOT (L)
	PEDESTAL (P)



STANDARD FEATURES & ACCESSORIES for TUB ONLY SERIES

STANDARD ACCESSORIES

- Deluxe Cable Drain - Polished Chrome
- EZ Level Base
- Grab Bar: Polished Chrome

REQUIREMENTS

Drain and Grab Bar: Polished Chrome
Tub should not be supported by the lip in any way. Level tub & screw or glue EZ Level adjustable legs to sub floor.

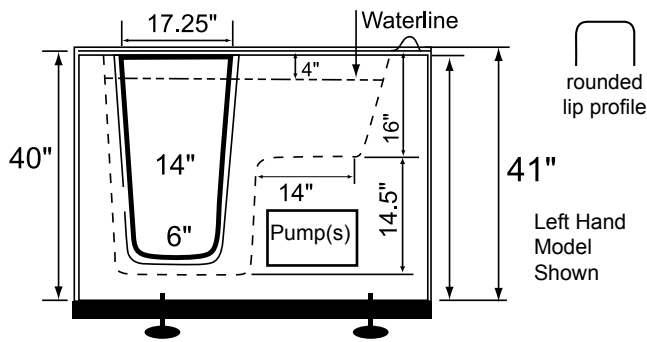
CUT OUT DIMENSIONS:

- OVALS:** A template will be provided
- RECTANGLES:** Subtract 1" to 1.5" from length & width for hole cut out size

EZ CLEAN CAST ACRYLIC LIMITED LIFETIME WARRANTY  **US ANSI**

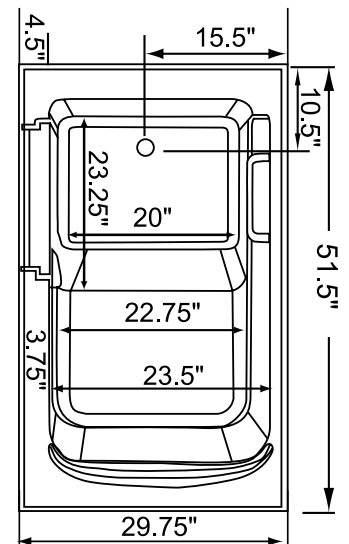
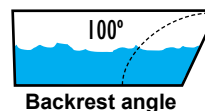
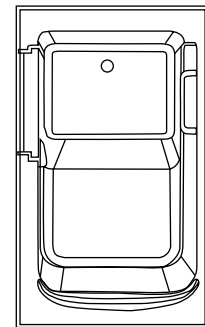
OPTIONAL FEATURES & ACCESSORIES

(Please type in the box below)



Bath includes EZ Level Base

INSTALLATION WILL NOT REQUIRE MORTAR BEDDING



Some standard & most alternate pump locations may stickout past perimeter of the bath 1"-3". **NOTE: Graphics may not be to scale. Specifications and features are subject to change without notice and are ± .25". All final measurements should be taken from tub on site. Access 18"x 18" or larger is required for each pump. Consult your contractor for installation requirements.**