

Zen ZECS6030SKTF 60" x 30" x 23"

PRODUCT NUMBER: ZECS6030SKTF-LH & ZECS6030SKTF-RH  

COMBINATION SILVER SERIES

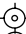


Hydro Massage
Your Health ... Our Passion

TECHNICAL SPECIFICATIONS	
Drain	End drain
Pump Location(s): Select 2	Std. = Standard / Alt LF/RF Optional
Bath Weight (empty)	160 lbs
Gallons to Operate	38-56
ELECTRICAL SPECIFICATIONS	
Motor/Pump	(2) 115v 20AMP GFCI Circuits
Inline Stainless Steel Heater	(Opt.) 115v 20AMP GFCI Circuit

BATHERS: 1	
INSTALLATION	
	DECK (D)
	UNDER MOUNT (U)
•	ALCOVE (A)
	FREESTANDING (F)
	CLAWFOOT (L)
	PEDESTAL (P)



STANDARD FEATURES & ACCESSORIES for COMBINATION SILVER SERIES BATHS _____

- JETS**
 21 Air & Water Massage Jets
 Accumassage Back, Neck Jets
 Ultra Flow Jets 
 Micro Flow Jets 
 Classic Air Jets 

- PUMPS**
 2.25 Hydropower 1-speed Pump
 1.0 Air Power 3-Speed Warm Air Pump
 Quiet Pad Anti-Vibration Mounted Pump

- CONTROLS**
 Air Switch On/Off Control(s)
 Automatic Purge & Dry Cycle Control

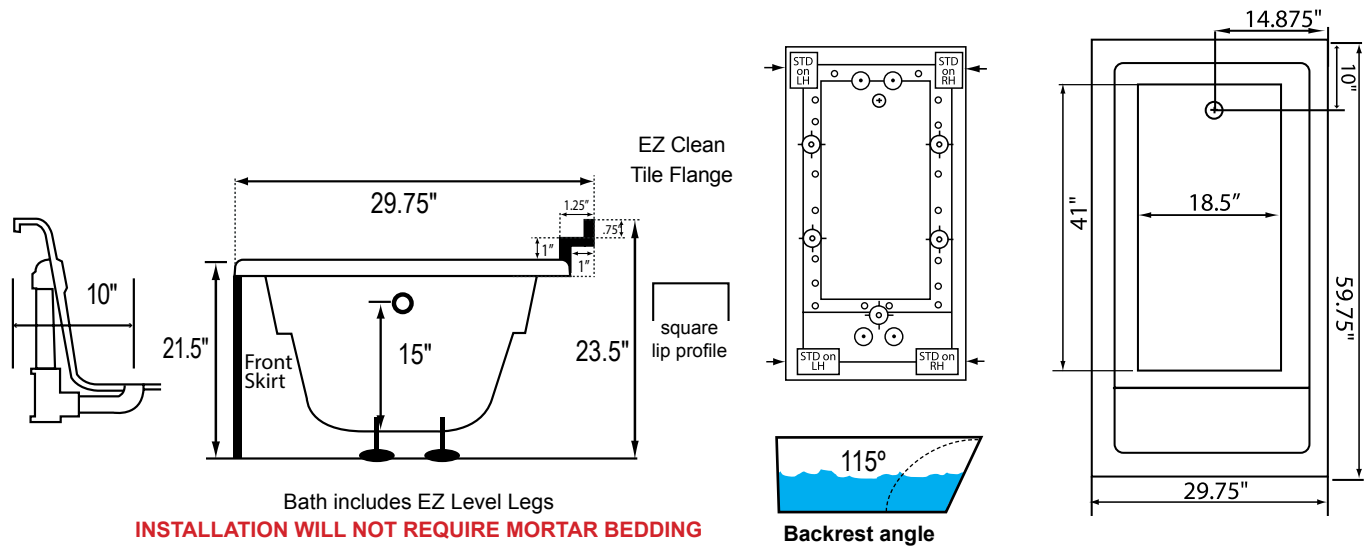
- PURITY**
 HydroClean Water Purity System
 HydroCleanse

- STANDARD ACCESSORIES**
 Mood Light
 Lift & Turn Drain - White, Biscuit, Bone, Brushed Nickel, Oil Rubbed Bronze, Polished Chrome
 Deluxe Cushion Pillow
 Integral Skirt with Magnetic Access Panel
 EZ Level Adjustable Legs
 FDA Recipe Non-Toxic Food & Beverage Grade Plumbing (primarily)
 30 Point Quality Assurance Factory Test

REQUIREMENTS
 Pump Locations: Select 2
 Electrical: two 115v 20amp GFCI Circuits
Tub should not be supported by the lip in any way. Level tub & screw or glue adjustable legs to sub floor.
CUT OUT DIMENSIONS:
OVALS: A template will be provided
RECTANGLES: Subtract 1" to 1.5" from length & width for hole cut out size

EZ CLEAN CAST ACRYLIC LIMITED LIFETIME WARRANTY 

OPTIONAL FEATURES & ACCESSORIES (Please type in the box below)



Bath includes EZ Level Legs
INSTALLATION WILL NOT REQUIRE MORTAR BEDDING

Some standard & most alternate pump locations may stickout past perimeter of the bath 1"-3". NOTE: Graphics may not be to scale. Specifications and features are subject to change without notice and are ± .25". All final measurements should be taken from tub on site. Access 18"x 18" or larger is required for each pump. Consult your contractor for installation requirements.